

**SC、SU系列标准气缸**  
SC、SU Series Standard Cylinder



订购码  
Ordering code

SC - D - 50 × 50 - 25 - S - LB

<p><b>型号</b> SC: 拉杆标准式 SU: 拉杆内藏式 <b>Model</b> SC: Pull rod Standard type SU: Hidden pull rod type</p>	<p>空白: 标准复动型 D: 双轴复动型 J: 可调整行程型 <b>Blank: Standard double action D: Double-shaft double acting J: Double-shaft and adjustable stroke type</b></p>	<p><b>缸径</b> Bore</p>	<p><b>行程</b> stroke</p>	<p><b>调整行程</b> SCJ可调整行程 SUJ可调整行程 <b>Adjustable stroke</b> SCJ adjustable stroke SUJ adjustable stroke</p>	<p><b>磁石</b> S: 附磁石 空白: 不附磁石 <b>Magnet</b> S: magnet Blank: Without magner</p>	<p><b>固定形式</b> 空白: 基本型 LB: 前后固定型 FA: 前盖固定型(前法兰) FB: 后盖固定型(后法兰) CA: 后盖固定型(单耳型) CB: 后盖固定型(双耳型) TC: 中间摇摆式 TC-M: 摇摆附脚座 <b>Fixed Type</b> Blank: Standard Double LB: Front and back fixed FA: Front cover Fixation(Front flange) FB: Back cover Fixation(Rear flange) CA: Back cover Fixation(Single Clevis) CB: Back cover Fixation(Double Clevis) TC: Centre Turnnion TC-M: Swinging type attaching foot seat</p>
---------------------------------------------------------------------------------------------------------------------------	-----------------------------------------------------------------------------------------------------------------------------------------------------------------------	---------------------------	-----------------------------	-------------------------------------------------------------------------------------------------------------------------------	----------------------------------------------------------------------------------------------------	------------------------------------------------------------------------------------------------------------------------------------------------------------------------------------------------------------------------------------------------------------------------------------------------------------------------------------------------------------------------------------------------------------------------------------------------------------------------------------

规格  
Specifications

内径 Bore (mm)	32	40	50	63	80	100
动作形式 Operation	复动型 Double acting					
工作介质 Fluid	空气 Air					
固定形式 Mounting	基本型 (Basic)、FA、FB、CA、CB、LB、TC、TC-M					
使用压力范围 Operating pressure	1.0~9.0Kgf/cm <sup>2</sup>					
保证耐压力 Proof pressure	13.5Kgf/cm <sup>2</sup>					
使用温度范围 Operating temperature	0~70℃					
使用速度范围 Operating speed range	50~800mm/s					
缓冲型式 Cushioning	可调式缓冲 / Adjustable cushioning					
缓冲行程 Cushioning stroke	20			26		
接管口径 Port size	G1/8"	G1/4"		G3/8"		G1/2"

SCD、SCJ的固定型式为：FA、FB、LB、TC和TC-M型。  
SCD,SCJ's fixed types are FA, FB, LB, TC and TC-M.

## 行程 Stroke

内径 Bore (mm)	标准行程 Standardstroke	最大行程 Max.Stroke	允许行程 Allowable stroke
32	25 50 75 80 100 125 150 160 175 200 250 300 350 400 450 500	1000	2000
40	25 50 75 80 100 125 150 160 175 200 250 300 350 400 450 500 600 700 800	1200	2000
50	25 50 75 80 100 125 150 160 175 200 250 300 350 400 450 500 600 700 800 900 1000	1200	2000
63	25 50 75 80 100 125 150 160 175 200 250 300 350 400 450 500 600 700 800 900 1000	1500	2000
80	25 50 75 80 100 125 150 160 175 200 250 300 350 400 450 500 600 700 800 900 1000	1500	2000
100	25 50 75 80 100 125 150 160 175 200 250 300 350 400 450 500 600 700 800 900 1000	1500	2000

## 气缸理论出力表 Theoretical force

气缸内径 Bore size	32		40		50		63		80		100		
活塞杆外径 Rod diameter	12		16		20		20		25		25		
动作型式 Operation	复动型 Double acting		复动型 Double acting		复动型 Double acting		复动型 Double acting		复动型 Double acting		复动型 Double acting		
	压测 Out	拉测 In	压测 Out	拉测 In	压测 Out	拉测 In	压测 Out	拉测 In	压测 Out	拉测 In	压测 Out	拉测 In	
受压面积 Piston area(cm <sup>2</sup> )	8.04	6.90	12.56	10.55	19.63	16.49	31.17	28.03	50.6	45.36	78.53	73.62	
空气压力 Air Pressure (Kgi/cm <sup>2</sup> )	1	8.04	6.90	12.56	10.55	19.63	16.49	31.17	28.03	50.6	45.36	78.53	73.62
	2	16.8	13.80	25.12	21.10	39.26	32.98	62.34	56.06	100.52	90.72	157.06	147.24
	3	24.12	20.70	37.68	31.65	58.89	49.47	93.51	84.09	150.78	136.08	235.59	220.86
	4	32.16	27.60	50.24	42.20	78.52	65.96	124.68	112.12	201.04	181.44	314.12	294.48
	5	40.20	34.50	62.80	52.75	98.15	82.45	155.85	140.15	251.30	226.80	392.65	368.10
	6	48.24	41.40	75.36	63.30	117.78	98.94	187.02	168.18	301.56	272.16	471.18	441.72
	7	56.28	48.30	87.92	73.85	137.41	115.43	218.19	196.21	351.82	317.52	549.71	515.34
	8	64.32	55.20	100.48	84.40	157.04	131.92	249.36	224.24	402.08	362.68	628.24	588.96
	9	72.36	62.10	113.04	94.95	176.67	148.41	280.53	252.27	452.34	408.24	706.77	662.58

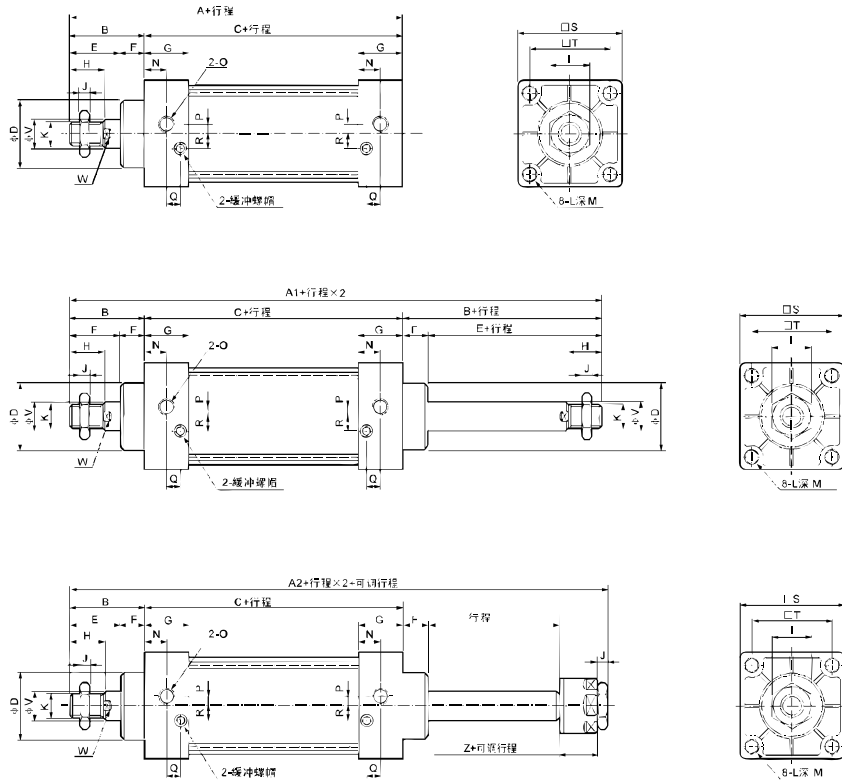
# SC、SU系列标准气缸

## SC、SU Series Standard Cylinder

### 尺寸

### Dimensions

SC系列(Series)



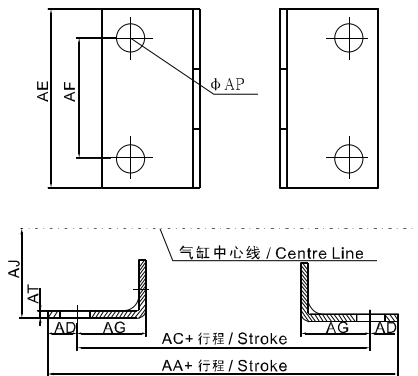
内径/符号 Bore size/Symbol	A	A1	A2	B	C	D	E	F	G	H	I	J	K
23	140	187	182	147	93	28	32	15	27.5	22	17	6	M10×1.25
40	142	191	185	48	93	32	34	15	27.5	24	17	7	M12×1.25
50	150	207	196	57	93	38	42	15	27.5	32	23	8	M16×1.5
63	153	210	199	57	96	38	42	15	27.5	32	23	8	M16×1.5
80	183	258	243	75	108	47	54	21	33	40	26	10	M20×1.5
100	189	264	249	75	114	47	54	21	33	40	26	10	M20×1.5
内径/符号 Bore size/Symbol	L	M	N	O	P	Q	R	S	T	V	W	Z	
23	M6×1	9.5	13.5	G1/8"	3.5	7.5	7	45	33	12	12	21	
40	M6×1	9.5	1.5	G1/4"	6	8.2	9	50	37	16	14	21	
50	M6×1	9.5	13.5	G1/4"	8.5	8.2	9	62	47	20	17	23	
63	M8×1.25	9.5	13.5	G3/8"	7	8.2	8.5	75	56	20	17	23	
80	M10×1.5	11.5	16.5	G3/8"	10	9.5	14	94	70	25	22	29	
100	M10×1.5	11.5	16.5	G1/2"	11	9.5	14	112	84	25	22	29	



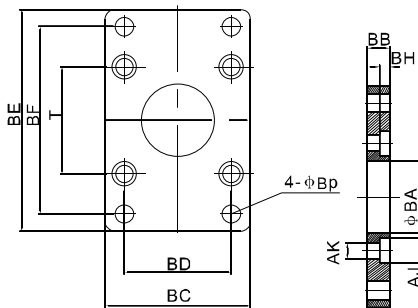
**SC 系列标准气缸附件**  
SC Series Standard Cylinder Accessory

尺寸  
Dimensions

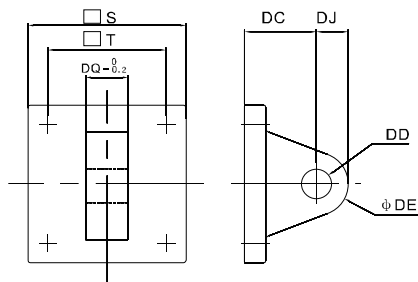
LB 脚架  
LB foot rest



FA,FB法兰  
FA,FB flange



CA 单耳环  
CA single clevis



符号/缸径 Symbol/Bore	32	40	50	63	80	100
AA	153	169	173	184	200	210
AC	134	140	149	158	168	174
AD	9.5	14.5	12	12	16	18
AE	50	57	68	80	97	112
AF	33	36	47	56	70	84
AG	20.5	23.5	28	31	30	30
AJ	28	30	36.5	41	49	57
AP	9	12	12	12	14	14
AT	3.2	3.2	3.2	3.2	4	4

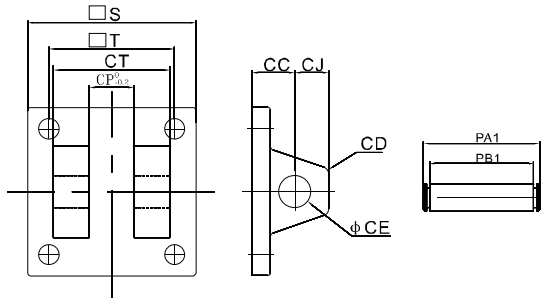
符号/缸径 Symbol/Bore	32	40	50	63	80	100
BA	28.3	32.3	38.3	38.3	47.3	47.3
BB	10	10	10	12	16	16
BC	47	52	65	76	95	115
BD	33	36	47	56	70	84
BE	72	84	104	116	143	162
BF	58	70	86	98	119	138
BH	6.5	6.5	6.5	8.5	10.5	10.5
AJ	10.5	10.5	13.5	13.5	16.6	16.6
AK	6.5	6.5	8.5	8.5	10.5	10.5
BP	7	7	9	9	12	12
T	33	37	47	56	70	84

符号/缸径 Symbol/Bore	32	40	50	63	80	100
S	48	50	62	75	94	112
T	33	37	47	56	70	84
DC	34	34	34	34	48	48
DD	14	14	15	15	20	20
DE	12	14	14	14	20	20
DJ	14	14	15	15	20	20
DQ	16	20	20	20	32	32

# Sc系列标准气缸 SC Series Standard Cylinder

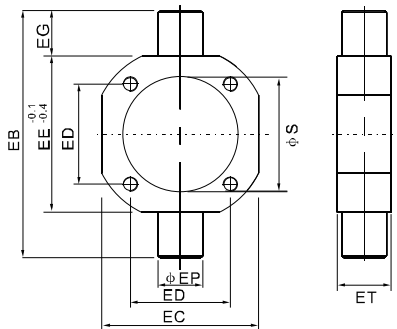
## 尺寸 Dimensions

CA 双耳环/CA double clevis



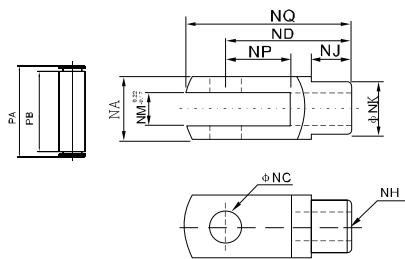
符号/缸径 Symbol/Bore	32	40	50	63	80	100
CC	19	19	19	19	32	32
CD	5	5	3	2	8	8
CE	12	14	14	14	20	20
CJ	13	13	15	15	21	21
CP	16	20.5	20.3	20.3	32.3	32.3
CT	32	44	52	52	64	64
PAI	41	51.8	60.3	60.3	73.8	73.8
PBI	33.5	45.8	54	54	65.5	65.5
S	48	50	62	75	94	94
T	33	37	47	56	70	70

TC 中摆/TC centre turnion

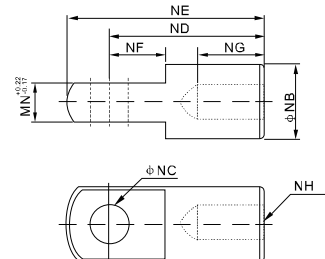


符号/缸径 Symbol/Bore	32	40	50	63	80
EB	113	126	138	164	182
EC	63	76	88	114	132
ED	37	47	56	70	84
EE	63	76	88	114	132
EG	25	25	25	25	25
EP	25	25	25	25	25
ET	30	30	30	35	40
S	45.5	55.5	68.5	87.5	107.5

Y joint



I joint



符号/缸径 Symbol/Bore	NA	NB	NC	ND	NE	NF	NG	NH	NJ	NK	NM	NP	NQ	PA	PB
32	19	20	10	40	52	15	20	M10×1.25	12	18	10	20	52	26.2	20
40	25	24	12	48	67	24	20	M12×1.25	20	23	12	24	62	32.8	26.5
50	32	32	16	64	89	32	23	M16×1.5	22	30	16	32	83	39.3	33
63	32	32	16	64	89	32	23	M16×1.5	22	30	16	32	83	39.3	33
80	44.4	40	20	80	112	40	30	M20×1.5	30	39	20	40	105	53.3	45
100	44.4	40	20	80	112	40	30	M20×1.5	30	39	20	40	105	53.3	45